

# POWERMAX PRO GSM

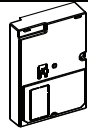
Internal GSM module for PowerMax Pro



Installation Instructions

## 1. INTRODUCTION

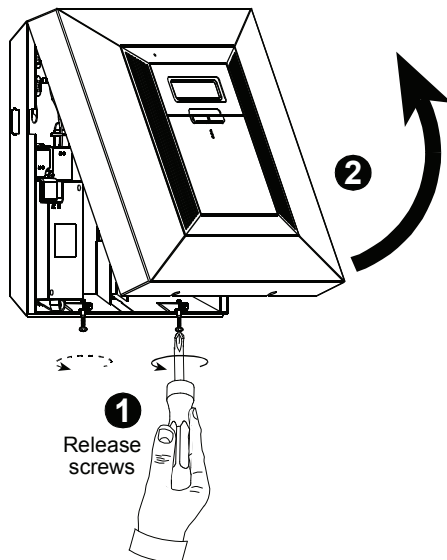
The internal GSM module enables the PowerMax Pro system to operate over a GSM/GPRS cellular network.



Internal GSM

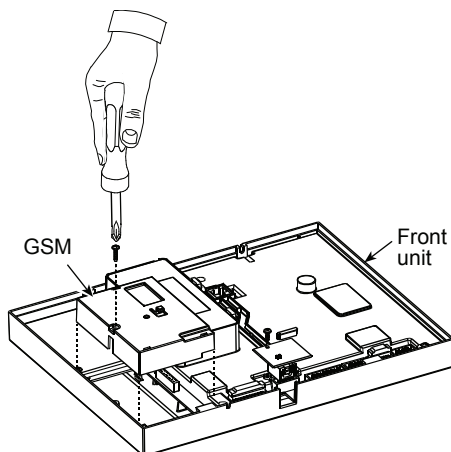
## 2. INSTALLATION

1. Open the PowerMax Pro:



1  
Release  
screws

2. Plug in the GSM module and fasten it with the screw:



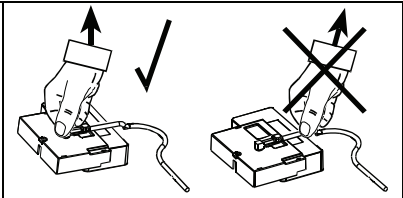
GSM

Front  
unit

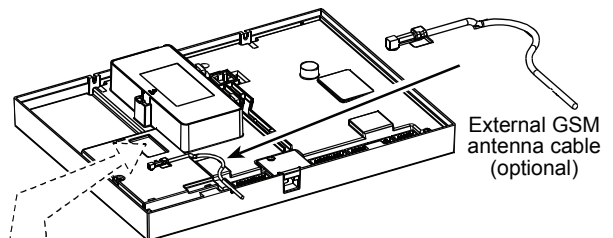
### Warning!

If external antenna removal is required, hold its connector (not the cable) and pull it out.

This prevents damage to the P.C.B.

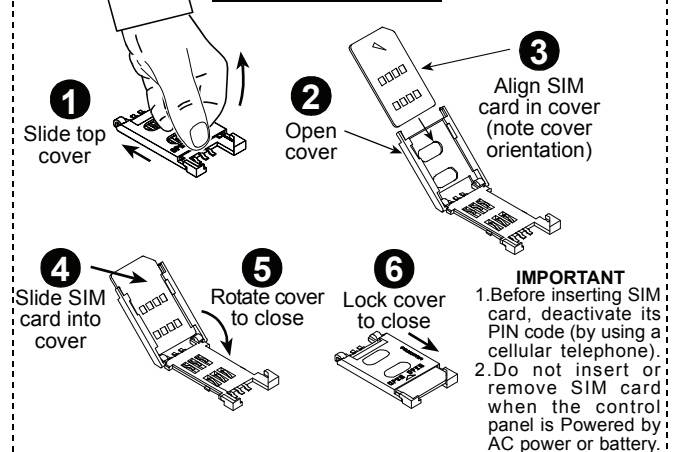


3. Mount the optional GSM external antenna on the desired site surface, connect its connector to the internal GSM module and insert the SIM card, as shown below.



External GSM  
antenna cable  
(optional)

### SIM card insertion



1  
Slide top  
cover

2  
Open  
cover

3  
Align SIM  
card in cover  
(note cover  
orientation)

4  
Slide SIM  
card into  
cover

5  
Rotate cover  
to close

6  
Lock cover  
to close

**IMPORTANT**  
1. Before inserting SIM card, deactivate its PIN code (by using a cellular telephone).  
2. Do not insert or remove SIM card when the control panel is Powered by AC power or battery.

## 3. DEFINING GSM PARAMETERS

Refer to the PowerMax Pro installer guide section 4.6



### W.E.E. Product Recycling Declaration

For information regarding the recycling of this product you must contact the company from which you originally purchased it. If you are discarding this product and not returning it for repair then you must ensure that it is returned as identified by your supplier. This product is not to be thrown away with everyday waste.  
Directive 2002/96/EC Waste Electrical and Electronic Equipment.



VISONIC LTD. (ISRAEL): P.O.B 22020 TEL-AVIV 61220 ISRAEL. PHONE: (972-3) 645-6789, FAX: (972-3) 645-6788  
VISONIC INC. (U.S.A.): 65 WEST DUDLEY TOWN ROAD, BLOOMFIELD CT. 06002-1376. PHONE: (860) 243-0833, (800) 223-0020 FAX: (860) 242-8094  
VISONIC LTD. (UK): 7 COPPERHOUSE COURT, CALDECOTTE, MILTON KEYNES. MK7 8NL. TEL: (0870) 7300800 FAX: (0870) 7300801  
INTERNET: www.visonic.com  
©VISONIC LTD. 2007 POWERMAX PRO GSM D-300964 (REV. 1, 6/07)



MADE IN  
ISRAEL